

EVO 129, 179 & 199 Technical Information

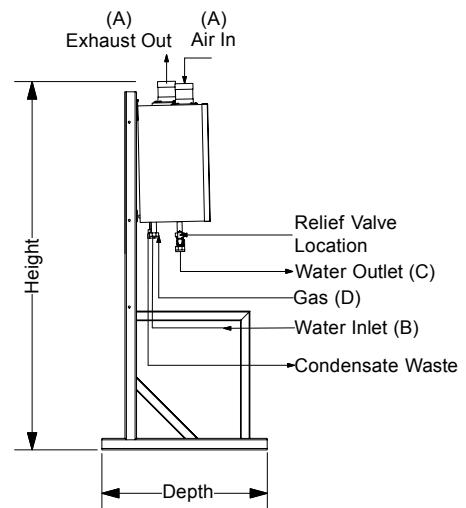
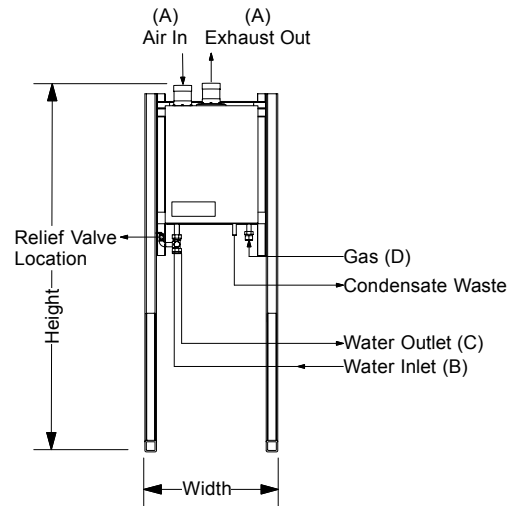


Standard Equipment

- 316L stainless steel heat exchanger
- Modulating stainless steel burner
- Self diagnostic microprocessor controls
- Externally adjustable thermostat
- Sealed combustion, PVC or AL 29-4C stainless vent
- Stainless steel cover
- Water flow switch
- Pressure relief valve
- Dual high limit sensors
- Circulating pump
- Blocked flue / blocked condensate drain pressure switch
- 24/7 customer service
- Factory designed, seismically-rated mounting rack required

Optional Equipment

- Rack Pack™ including rack and water piping
- Rack Pack Six Pack™ includes the above, plus:
 - Cascade controls
 - Common venting
 - Individually switched electrical power
 - Common condensate drain neutralizer



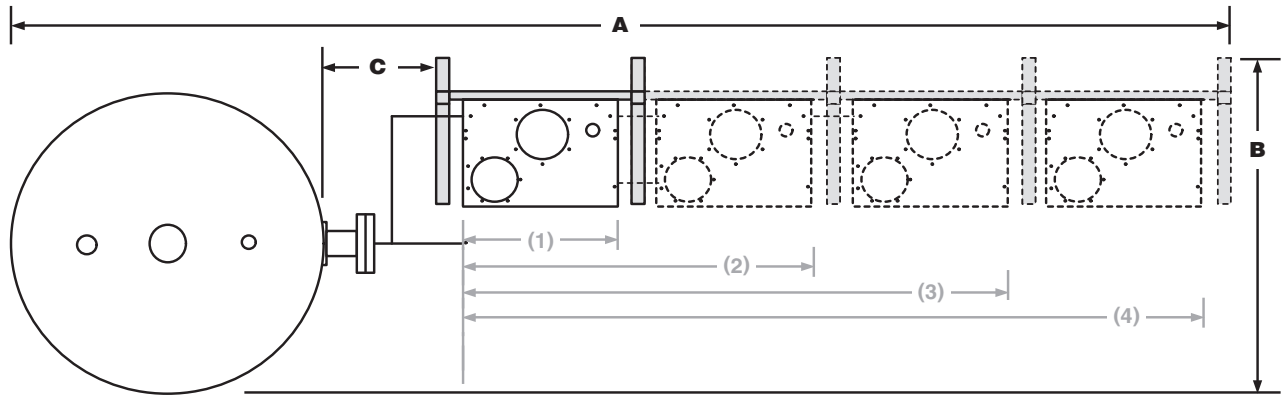
Heater Mounted on Rack								Heater Only							
Model	Width mm	Height mm	Depth mm	A mm	B mm	C mm	D mm	Model	Width mm	Height mm	Depth mm	A mm	B mm	C mm	D mm
129	584	1,626	737	76	25	25	19	129	406	521	30	76	25	25	19
179	584	1,626	737	76	25	25	19	179	406	521	30	76	25	25	19
199.1	584	1,626	737	76	25	25	19	199.1	406	521	30	76	25	25	19

Model	Input kWh	Water Heater* Output kWh	Boiler** Output kWh	LPH Recovery @ 38°CΔT	LPH Recovery @ 27°CΔT	LPH Recovery @ 16°CΔT	Water Flow Rate & Pressure Drop DHWT†	Shipping Weight
HWD 129	40	up to 39	up to 38	606	753	1,003	25 LPM@6.1m	30kg
HWD 179	53	up to 51	up to 50	795	992	1,321	37.5 LPM@6.6m	34kg
HWD 199.1	59	up to 57	up to 56	882	1,102	1,469	37.5 LPM@6.6m	34kg

• Rates shown are for natural or propane gas, and elevations up to 2,743m
 † Individual appliance piping pressure drop used in the tables is based on 6m of straight pipe, 6 elbows, 2 tees, full port ball valves and 2 unions
 * At 97% thermal efficiency with 30°C incoming water to heat exchanger
 ** At 95% thermal efficiency with 60°C incoming water to heat exchanger
 • All recovery rates based on domestic water heating
 • Dimensions are approximate. Please consult the factory before installation
 • Maximum amperage draw at 230 volts single phase is less than 3 amps



EVO 129, 179 & 199 Standard Pre-Plumbing Configurations



Model	Piping to tees only			454 liter tank (71cm)			662 & 757 liter tank (81cm)			833 & 973 liter tank (76cm)			1041 & 1,325 liter tank (91cm)			1,635 & 500 liter tank (107cm)		
	A	B	C	A	B	C	A	B	C	A	B	C	A	B	C	A	B	C
(1) HW 129	.8m	.6m	.08m	1.5m	.6m	.3m	1.8m	.7m	.4m	1.6m	.7m	.3m	1.8m	.8m	.3m	1.9m	1m	.3m
(2) HW 129	1.3m	.6m	.08m	2.1m	.6m	.3m	2.3m	.7m	.4m	2.1m	.7m	.3m	2.3m	.8m	.3m	2.4m	1m	.3m
(3) HW 129	1.9m	.6m	.08m	2.6m	.6m	.3m	2.8m	.7m	.4m	2.8m	.7m	.3m	2.9m	.8m	.3m	3.1m	1m	.3m
(4) HW 129	2.3m	.6m	.08m	3.1m	.6m	.3m	3.3m	.7m	.4m	3.1m	.7m	.3m	3.3m	.8m	.3m	3.5m	1m	.3m
(1) HW 179	.8m	.6m	.08m	1.5m	.6m	.3m	1.8m	.7m	.4m	1.6m	.7m	.3m	1.8m	.8m	.3m	1.9m	1m	.3m
(2) HW 179	1.3m	.6m	.08m	2.1m	.6m	.3m	2.3m	.7m	.4m	2.1m	.7m	.3m	2.3m	.8m	.3m	2.4m	1m	.3m
(3) HW 179	1.9m	.6m	.08m	2.6m	.6m	.3m	2.8m	.7m	.4m	2.8m	.7m	.3m	2.9m	.8m	.3m	3.1m	1m	.3m
(4) HW 179	2.3m	.6m	.08m	3.1m	.6m	.3m	3.3m"	.7m	.4m	3.1m	.7m	.3m	3.3m	.8m	.3m	3.5m	1m	.3m
(1) HW 199	.8m	.6m	.08m	1.5m	.6m	.3m	1.8m	.7m	.4m	1.6m	.7m	.3m	1.8m	2'9"	.3m	1.9m	1m	.3m
(2) HW 199	1.3m	.6m	.08m	2.1m	.6m	.3m	2.3m	.7m	.4m	2.1m	.7m	.3m	2.3m	2'9"	.3m	2.4m	1m	.3m
(3) HW 199	1.9m	.6m	.08m	2.6m	.6m	.3m	2.8m	.7m	.4m	2.8m	.7m	.3m	2.9m	2'9"	.3m	3.1m	1m	.3m
(4) HW 199	2.3m	.6m	.08m	3.1m	.6m	.3m	3.3m"	.7m	.4m	3.1m	.7m	.3m	3.3m	2'9"	.3m	3.5m	1m	.3m

Notes:

Piping to tees is generally used for replacement to an existing tank, or replacement heating system.

*Dimensions are approximate. Please consult the factory before installation.