

EVO 129, 179 & 199 Technical Information

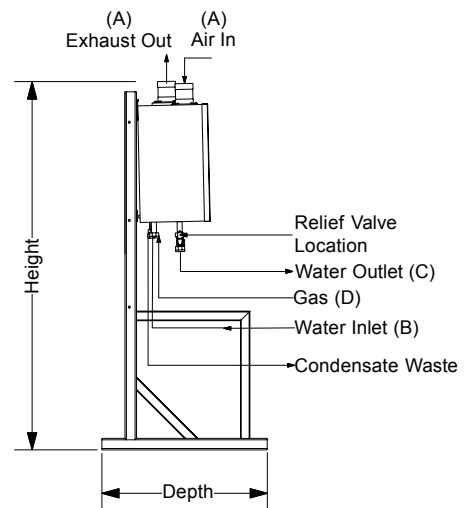
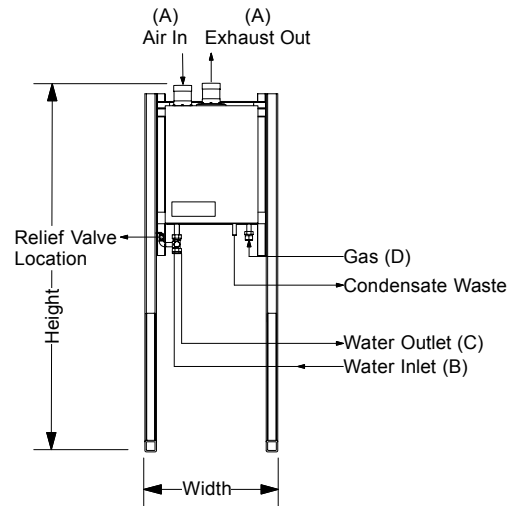


Standard Equipment

- 316L stainless steel heat exchanger
- Modulating stainless steel burner
- Self diagnostic microprocessor controls
- Externally adjustable thermostat
- Sealed combustion, PVC or AL 29-4C stainless vent
- Stainless steel cover
- Water flow switch
- Pressure relief valve
- Dual high limit sensors
- Circulating pump
- Blocked flue / blocked condensate drain pressure switch
- 24/7 customer service
- Factory designed, seismically-rated mounting rack required

Optional Equipment

- Rack Pack™ including rack and water piping
- Rack Pack Six Pack™ includes the above, plus:
 - Cascade controls
 - Common venting
 - Individually switched electrical power
 - Common condensate drain neutralizer



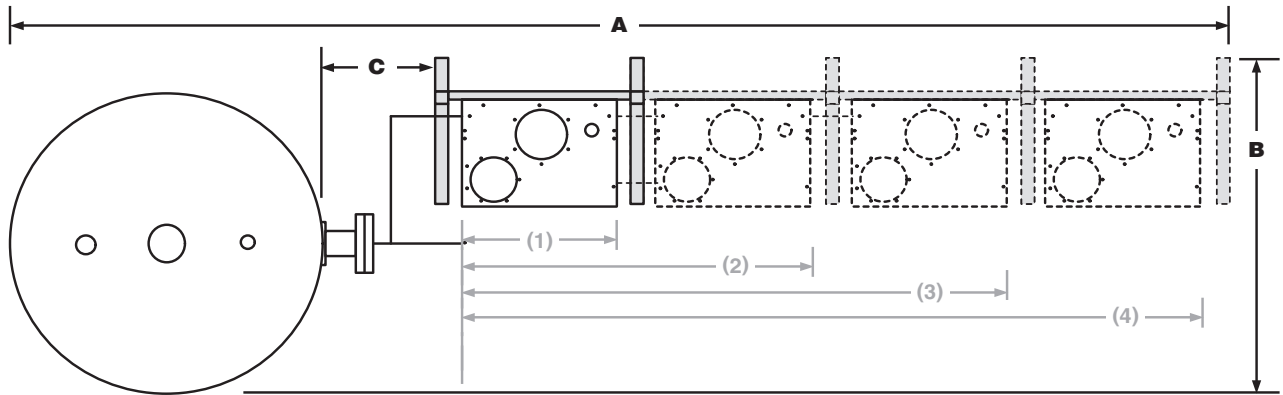
Heater Mounted on Rack								Heater Only							
Model	Width	Height	Depth	A	B	C	D	Model	Width	Height	Depth	A	B	C	D
129	23"	64"	29"	3"	1"	1.0"	0.75"	129	16"	20.5"	12"	3"	1"	1.0"	0.75"
179	23"	64"	29"	3"	1"	1.0"	0.75"	179	16"	20.5"	12"	3"	1"	1.0"	0.75"
199.1	23"	64"	29"	3"	1"	1.0"	0.75"	199.1	16"	20.5"	12"	3"	1"	1.0"	0.75"

Model	Input BTU/hr	Water Heater* Output BTU/hr	Boiler** Output BTU/hr	GPH Recovery @ 100°FΔT	GPH Recovery @ 80°FΔT	GPH Recovery @ 60°FΔT	Water Flow Rate & Pressure Drop DHWT	Shipping Weight
HWD 129	136,000	up to 132,890	up to 130,150	160	199	265	6.6@19.9'	66 lbs.
HWD 179	180,000	up to 174,829	up to 171,224	210	262	349	9.9@21.8'	75 lbs.
HWD 199.1	199,999	up to 193,999	up to 189,999	233	291	388	9.9@21.8'	75 lbs.

• Rates shown are for natural or propane gas, and elevations up to 9,000 feet
 † Individual appliance piping pressure drop used in the tables is based on 20 feet of straight pipe, 6 elbows, 2 tees, full port ball valves and 2 unions
 * At 97% thermal efficiency with 86°F incoming water to heat exchanger
 ** At 95% thermal efficiency with 140°F incoming water to heat exchanger
 • All recovery rates based on domestic water heating
 • Dimensions are approximate. Please consult the factory before installation
 • Maximum amperage draw at 230 volts single phase is less than 3 amps



EVO 129, 179 & 199 Standard Pre-Plumbing Configurations



Model	Piping to tees only			120 gallon tank (28")			175 & 200 gallon tank (32")			220 & 257 gallon tank (30")			275 & 350 gallon tank (36")			432 & 500 gallon tank (42")		
	A	B	C	A	B	C	A	B	C	A	B	C	A	B	C	A	B	C
(1) HW 129	2'9"	2'1"	3"	5'1"	2'1"	1'0"	5'9"	2'5"	1'4"	5'3"	2'3"	1'0"	5'9"	2'9"	1'0"	6'3"	3'3"	1'0"
(2) HW 129	4'4"	2'1"	3"	6'9"	2'1"	1'0"	7'5"	2'5"	1'4"	6'11"	2'3"	1'0"	7'5"	2'9"	1'0"	7'11"	3'3"	1'0"
(3) HW 129	6'1"	2'1"	3"	8'5"	2'1"	1'0"	9'4"	2'5"	1'4"	9'2"	2'3"	1'0"	9'8"	2'9"	1'0"	10'2"	3'3"	1'0"
(4) HW 129	7'5"	2'1"	3"	10'2"	2'1"	1'0"	10'10"	2'5"	1'4"	10'4"	2'3"	1'0"	10'10"	2'9"	1'0"	11'4"	3'3"	1'0"
(1) HW 179	2'9"	2'1"	3"	5'1"	2'1"	1'0"	5'9"	2'5"	1'4"	5'3"	2'3"	1'0"	5'9"	2'9"	1'0"	6'3"	3'3"	1'0"
(2) HW 179	4'4"	2'1"	3"	6'9"	2'1"	1'0"	7'5"	2'5"	1'4"	6'11"	2'3"	1'0"	7'5"	2'9"	1'0"	7'11"	3'3"	1'0"
(3) HW 179	6'1"	2'1"	3"	8'5"	2'1"	1'0"	9'4"	2'5"	1'4"	9'2"	2'3"	1'0"	9'8"	2'9"	1'0"	10'2"	3'3"	1'0"
(4) HW 179	7'5"	2'1"	3"	10'2"	2'1"	1'0"	10'10"	2'5"	1'4"	10'4"	2'3"	1'0"	10'10"	2'9"	1'0"	11'4"	3'3"	1'0"
(1) HW 199	2'9"	2'1"	3"	5'1"	2'1"	1'0"	5'9"	2'5"	1'4"	5'3"	2'3"	1'0"	5'9"	2'9"	1'0"	6'3"	3'3"	1'0"
(2) HW 199	4'4"	2'1"	3"	6'9"	2'1"	1'0"	7'5"	2'5"	1'4"	6'11"	2'3"	1'0"	7'5"	2'9"	1'0"	7'11"	3'3"	1'0"
(3) HW 199	6'1"	2'1"	3"	8'5"	2'1"	1'0"	9'4"	2'5"	1'4"	9'2"	2'3"	1'0"	9'8"	2'9"	1'0"	10'2"	3'3"	1'0"
(4) HW 199	7'5"	2'1"	3"	10'2"	2'1"	1'0"	10'10"	2'5"	1'4"	10'4"	2'3"	1'0"	10'10"	2'9"	1'0"	11'4"	3'3"	1'0"

Notes:

Piping to tees is generally used for replacement to an existing tank, or replacement heating system.

*Dimensions are approximate. Please consult the factory before installation.