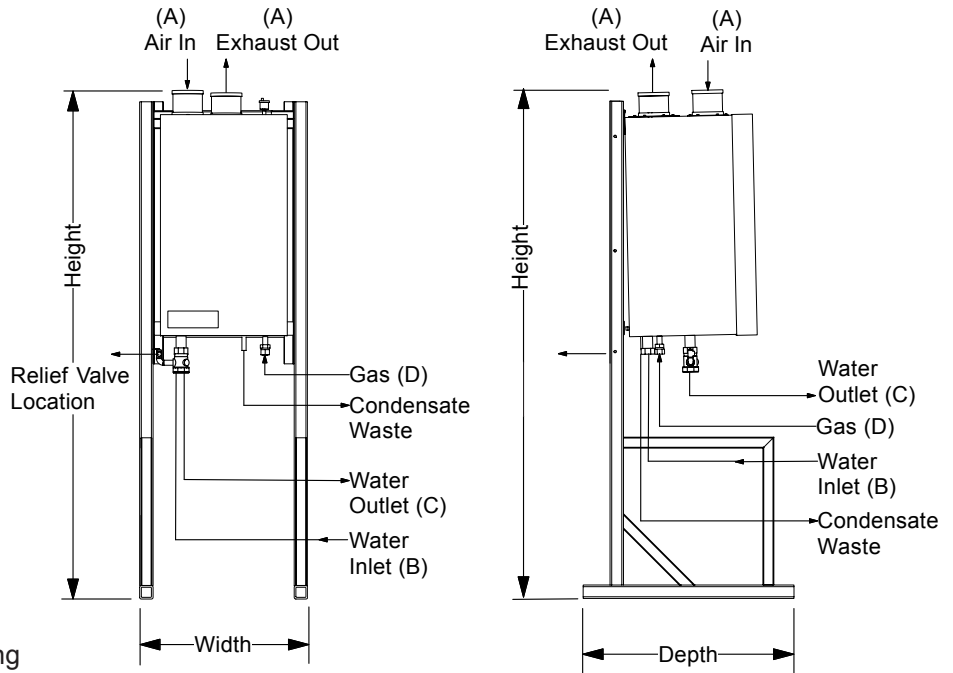


EVO 299, 399 & 599 Technical Information



Standard Equipment

- 316L stainless steel heat exchanger
- Modulating stainless steel burner
- Self diagnostic microprocessor controls
- Externally adjustable thermostat
- Sealed combustion
- PVC or AL 29-4C stainless vent
- Stainless steel cover
- Water flow switch
- Pressure relief valve
- Dual high limit sensors
- Circulating pump
- Blocked flue/ blocked condensate drain pressure switch
- 24/7 customer service
- Factory designed, seismically-rated mounting rack required



Optional Equipment

- Rack Pack™ including rack and water piping
- Rack Pack Six Pack™ includes the above, plus:
 - Cascade controls
 - Common venting
 - Individually switched electrical power
 - Common condensate drain neutralizer

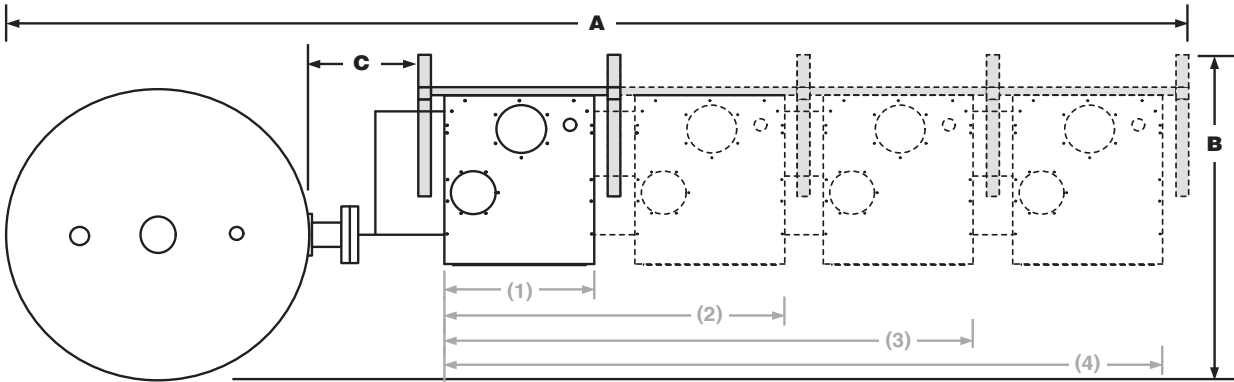
Heater/Boiler Mounted On Rack								Heater/Boiler Only							
Model	Width	Height	Depth	A	B	C	D	Model	Width	Height	Depth	A	B	C	D
HW 299	25"	74"	28.625"	4"	1.5"	1.5"	0.75"	299	19"	33"	19"	4"	1.5"	1.5"	0.75"
HW 399	25"	74"	28.625"	4"	2"	2"	0.75"	399	19"	33"	19"	4"	2"	2"	0.75"
HW 599	25"	74"	34.5"	5"	2"	2"	1"	599	19"	35"	26.5"	5"	2"	2"	1"

Model	Input BTU/hr	Water Heater* Output BTU/hr	Boiler** Output BTU/hr	GPH Recovery @ 100°FΔT	GPH Recovery @ 80°FΔT	GPH Recovery @ 60°FΔT	Water Flow Rate & Pressure Drop DHW†	Shipping Weight
HW 299	300,000	up to 291,000	up to 285,000	360	450	600	16.5@22.9'	172 lbs.
HW 399	399,999	up to 387,999	up to 379,999	466	582	776	26.4@20.3'	204 lbs.
HW 599	630,000	up to 611,100	up to 598,500	734	917	1223	39.6@23.6'	260 lbs.

- Rates shown are for natural or propane gas, and elevations up to 9,000 feet
- † Individual appliance piping pressure drop used in the tables is based on 20 feet of straight pipe, 6 elbows, 2 tees, 2 full port ball valves and 2 unions
- * At 97% thermal efficiency with 86°F incoming water to heat exchanger
- ** At 95% thermal efficiency with 140°F incoming water to heat exchanger
- All recovery rates based on domestic water heating
- Dimensions are approximate. Please consult the factory before installation
- Maximum amperage draw at 230 volts single phase is less than 6.3 amps



EVO 299, 399 & 599 Standard Pre-Plumbing Configurations



Model	Piping to tees only			120 gallon tank (28")			175 & 200 gallon tank (32")			220 & 257 gallon tank (30")			275 & 350 gallon tank (36")			432 & 500 gallon tank (42")		
	A	B	C	A	B	C	A	B	C	A	B	C	A	B	C	A	B	C
(1) HW 299	2'11"	2'8"	3"	5'4"	2'8"	1'0"	6'0"	2'5"	1'4"	5'6"	2'10"	1'0"	6'0"	3'4"	1'0"	6'6"	3'10"	1'0"
(2) HW 299	4'10"	2'8"	3"	7'3"	2'8"	1'0"	7'11"	2'5"	1'4"	7'5"	2'10"	1'0"	7'11"	3'4"	1'0"	8'5"	3'10"	1'0"
(3) HW 299	6'7"	2'8"	3"	9'2"	2'8"	1'0"	9'10"	2'5"	1'4"	9'4"	2'10"	1'0"	9'10"	3'4"	1'0"	10'4"	3'10"	1'0"
(4) HW 299	8'4"	2'8"	3"	11'2"	2'8"	1'0"	11'10"	2'5"	1'4"	11'4"	2'10"	1'0"	11'10"	3'4"	1'0"	12'4"	3'10"	1'0"
(1) HW 399	2'11"	2'8"	1'0"	5'4"	2'8"	1'0"	6'0"	2'5"	1'4"	5'6"	2'10"	1'0"	6'0"	3'4"	1'0"	6'6"	3'10"	1'0"
(2) HW 399	4'10"	2'8"	1'0"	7'3"	2'8"	1'0"	7'11"	2'5"	1'4"	7'5"	2'10"	1'0"	7'11"	3'4"	1'0"	8'5"	3'10"	1'0"
(3) HW 399	6'7"	2'8"	1'0"	9'2"	2'8"	1'0"	9'10"	2'5"	1'4"	9'7"	2'10"	1'0"	9'10"	3'4"	1'0"	10'4"	3'10"	1'0"
(4) HW 399	8'4"	2'8"	1'0"	11'2"	2'8"	1'0"	11'10"	2'5"	1'4"	11'4"	2'10"	1'0"	11'10"	3'4"	1'0"	12'4"	3'10"	1'0"
(1) HW 599	2'11"	3'4"	1'0"	5'4"	3'4"	1'0"	6'0"	2'5"	1'4"	5'6"	3'6"	1'0"	6'0"	4'0"	1'0"	6'6"	4'6"	1'0"
(2) HW 599	4'10"	3'4"	1'0"	7'3"	3'4"	1'0"	7'11"	2'5"	1'4"	7'5"	3'6"	1'0"	7'11"	4'0"	1'0"	8'5"	4'6"	1'0"
(3) HW 599	6'7"	3'4"	1'3"	9'5"	3'4"	1'0"	10'1"	2'5"	1'4"	9'7"	3'6"	1'0"	10'1"	4'0"	1'0"	10'7"	4'6"	1'3"
(4) HW 599	8'4"	3'4"	1'3"	11'5"	3'4"	1'0"	12'1"	2'5"	1'4"	11'7"	3'6"	1'0"	12'1"	4'0"	1'0"	12'7"	4'6"	1'3"

Notes:

Piping to tees is generally used for replacement to an existing tank, or replacement heating system.

*Dimensions are approximate. Please consult the factory before installation.