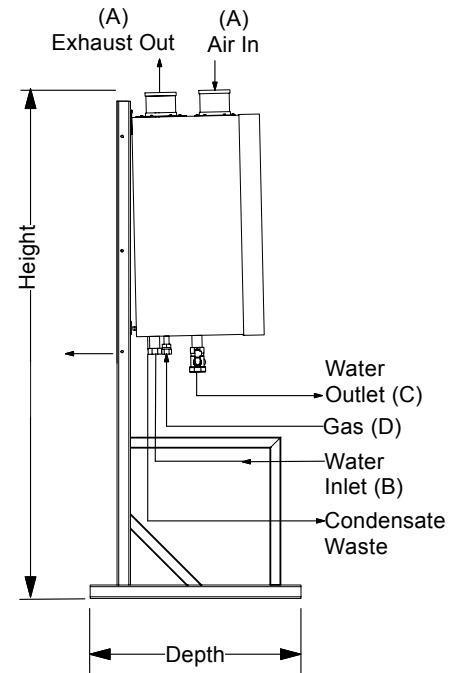
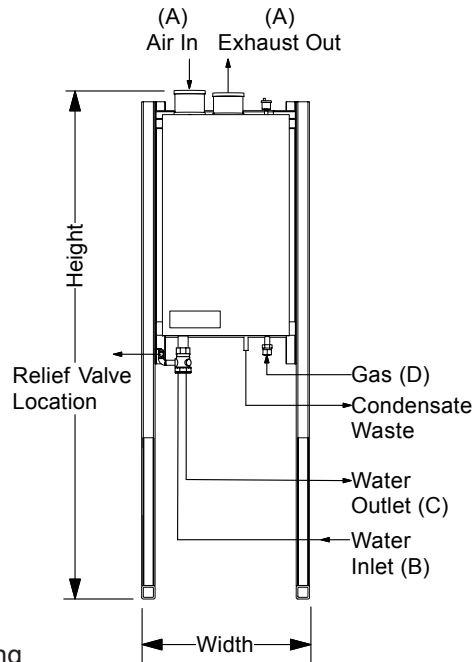


EVO 299, 399 & 599 Technical Information



Standard Equipment

- 316L stainless steel heat exchanger
- Modulating stainless steel burner
- Self diagnostic microprocessor controls
- Externally adjustable thermostat
- Sealed combustion
- PVC or AL 29-4C stainless vent
- Stainless steel cover
- Water flow switch
- Pressure relief valve
- Dual high limit sensors
- Circulating pump
- Blocked flue/ blocked condensate drain pressure switch
- 24/7 customer service
- Factory designed, seismically-rated mounting rack required



Optional Equipment

- Rack Pack™ including rack and water piping
- Rack Pack Six Pack™ includes the above, plus:
 - Cascade controls
 - Common venting
 - Individually switched electrical power
 - Common condensate drain neutralizer

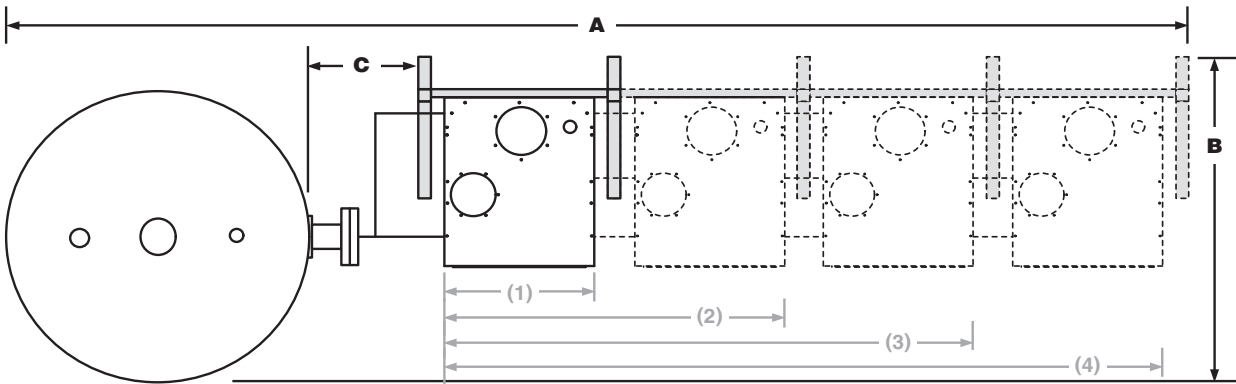
Heater/Boiler Mounted On Rack								Heater/Boiler Only							
Model	Width mm	Height mm	Depth mm	A mm	B mm	C mm	D mm	Model	Width mm	Height mm	Depth mm	A mm	B mm	C mm	D mm
HW 299	635	1880	727	102	38	38	19	299	483	838	483	102	38	38	19
HW 399	635	1880	727	102	51	51	19	399	483	838	483	102	51	51	19
HW 599	635	1880	876	127	51	51	25	599	483	889	673	127	51	51	25

Model	Input kWh	Water Heater* Output kWh	Boiler** Output kWh	LPH Recovery @ 38°CΔT	LPH Recovery @ 27°CΔT	LPH Recovery @ 16°CΔT	Water Flow Rate & Pressure Drop DHWT	Shipping Weight
HW 299	88	up to 85	up to 84	1,363	1,703	2,271	62 LPM@7m	78kg
HW 399	117	up to 114	up to 111	1,764	2,203	2,937	100 LPM@6.2m	93kg
HW 599	185	up to 179	up to 176	2,778	3,471	4,630	150 LPM@7.2m	118kg

- Rates shown are for natural or propane gas, and elevations up to 2,743m
- † Individual appliance piping pressure drop used in the tables is based on 6m of straight pipe, 6 elbows, 2 tees, full port ball valves and 2 unions
- * At 97% thermal efficiency with 30°C incoming water to heat exchanger
- **At 95% thermal efficiency with 60°C incoming water to heat exchanger
- All recovery rates based on domestic water heating
- Dimensions are approximate. Please consult the factory before installation
- Maximum amperage draw at 230 volts single phase is less than 6.3 amps



EVO 299, 399 & 599 Standard Pre-Plumbing Configurations



Model	Piping to tees only			454 liter tank (71cm)			662 & 757 liter tank (81cm)			833 & 973 liter tank (76cm)			1041 & 1,325 liter tank (91cm)			1,635 & 500 liter tank (107cm)		
	A	B	C	A	B	C	A	B	C	A	B	C	A	B	C	A	B	C
(1) HW 299	.9m	.8m	.08m	1.6m	.8m	.3m	1.8m	.7m	.4m	1.7m	.9m	.3m	1.8m	1m	.3m	2m	1.2m	.3m
(2) HW 299	1.5m	.8m	.08m	2.2m	.8m	.3m	2.4m	.7m	.4m	2.3m	.9m	.3m	2.4m	1m	.3m	2.6m	1.2m	.3m
(3) HW 299	2m	.8m	.08m	2.8m	.8m	.3m	3m	.7m	.4m	2.8	.9m	.3m	3m	1m	.3m	3.2m	1.2m	.3m
(4) HW 299	2.5m	.8m	.08m	3.4m	.8m	.3m	3.6m	.7m	.4m	3.5m	.9m	.3m	3.6m	1m	.3m	3.8m	1.2m	.3m
(1) HW 399	.9m	.8m	.3m	1.6m	.8m	.3m	1.8m	.7m	.4m	1.7m	.9m	.3m	1.8m	1m	.3m	2m	1.2m	.3m
(2) HW 399	1.5m	.8m	.3m	2.2m	.8m	.3m	2.4m	.7m	.4m	2.3m	.9m	.3m	2.4m	1m	.3m	2.6m	1.2m	.3m
(3) HW 399	2m	.8m	.3m	2.8m	.8m	.3m	3m	.7m	.4m	2.9	.9m	.3m	3m	1m	.3m	3.2m	1.2m	.3m
(4) HW 399	2.5m	.8m	.3m	3.4m	.8m	.3m	3.6m	.7m	.4m	3.5m	.9m	.3m	3.6m	1m	.3m	3.8m	1.2m	.3m
(1) HW 599	.9m	1m	.3m	1.6m	1m	.3m	1.8m	.7m	.4m	1.7m	1.1m	.3m	1.8m	1.2m	.3m	2m	1.4m	.3m
(2) HW 599	1.5m	1m	.3m	2.2m	1m	.3m	2.4m	.7m	.4m	2.3m	1.1m	.3m	2.4m	1.2m	.3m	2.6m	1.4m	.3m
(3) HW 599	2m	1m	.4m	2.9m	1m	.3m	3m	.7m	.4m	2.9m	1.1m	.3m	3m	1.2m	.3m	3.2m	1.4m	.4m
(4) HW 599	2.5m	1m	.4m	3.5m	1m	.3m	3.7m	.7m	.4m	3.5m	1.1m	.3m	3.7m	1.2m	.3m	3.8m	1.4m	.4m

Notes:

Piping to tees is generally used for replacement to an existing tank, or replacement heating system.

*Dimensions are approximate. Please consult the factory before installation.