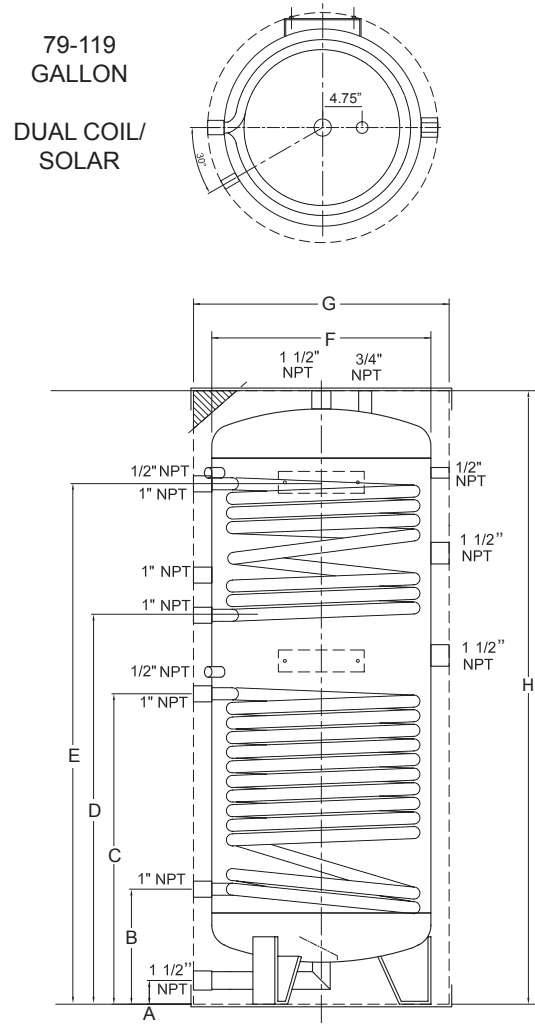
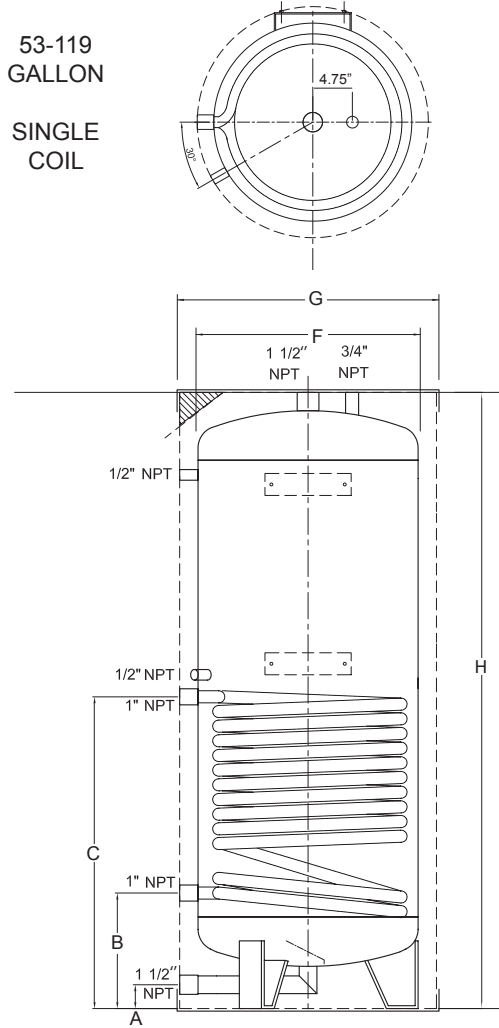


# The Eliminator

## Technical Information

# THE ELIMINATOR



Model	Gal. Cap	1st Hour @ 90°F ΔT	GPH @ 100°F ΔT	Flow per Coil and ΔP (coil only)	BTU/hr Required for Full Output	A	B	C	D	E	F	G	H	Shipping Weight
HET 73053 SC+	53	212	148	13.8@4.8'	138,300	2.75"	12.75"	29.0"	N/A	N/A	19.7"	23.7"	46"	155 lbs.
HET 73080 SC+	79	290	198	18.4@10.9'	184,400	3.0"	12.25"	33.25"	N/A	N/A	19.7"	23.7"	66"	179 lbs.
HET 73080 DC+	79	337	240	L 13.8@4.8' U 18.4@4.8'	223,539	3.0"	12.25"	33.25"	43.25"	54.25"	19.7"	23.7"	66"	200 lbs.
HET 73120 SC+	119	381	247	23.1@20.5'	230,500	2.5"	12.5"	33.5"	N/A	N/A	24.8"	28.8"	66"	245 lbs.
HET 73120 DC+	119	515	368	L 10.5@4.8' U 13.8@4.8'	345,143	2.5"	12.5"	33.5"	42.0"	56.0"	24.8"	28.8"	66"	267 lbs.

- The suffix "S" indicates single coil models, suffix "D" indicates dual coil models.
- All domestic water connections are 1 1/4" F NPT on 53 and 1.5" F NPT on 79 and 119 gallon models.
- Heating coil connections are 1" F NPT on all models.
- Storage tank and heating coils have a maximum working pressure of 125 PSI. and a test pressure of 300 PSI
- Dimensions are approximate. Please consult the factory before installation.
- Recovery rate and first hour delivery are based on 185°F boiler water, 40°F incoming, and 140°F delivered.
- Full output BTU is based on 185°F boiler water, 40°F incoming, and 120°F delivered.
- Tanks, coils, and fittings are 316T stainless steel.

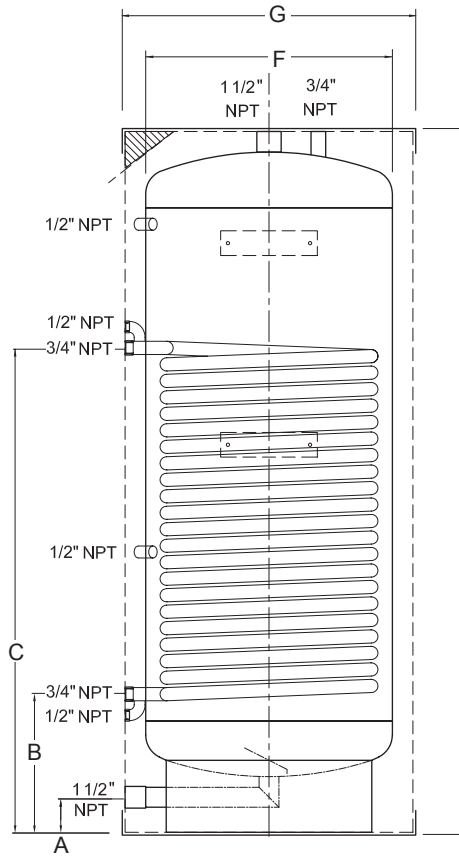
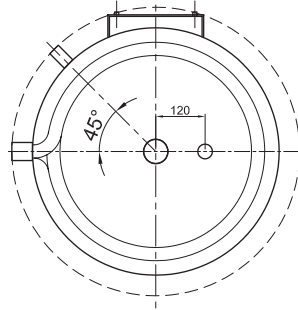
# The Eliminator Technical Information

# THE ELIMINATOR

119  
GALLON

SINGLE  
COIL

DOUBLE  
WALL



Model	Gal. Cap	1st Hour @ 90°F ΔT	GPH @ 100°F ΔT	Flow per Coil and ΔP (coil only)	BTU/hr Required for Full Output	A	B	C	D	E	F	G	H	Shipping Weight
HET 73120 SCDW*	119	441	302	12@14.2'	251,608	3.3"	13"	46.25"	N/A	N/A	24.8"	28.8"	67"	297 lbs.

- The suffix "S" indicates single coil models, suffix "D" indicates dual coil models.
- All domestic water connections are 1 1/4" F NPT on 53 and 1.5" F NPT on 79 and 119 gallon models.
- Heating coil connections are 1" F NPT on all models.
- Storage tank and heating coils have a maximum working pressure of 125 PSI. and a test pressure of 300 PSI
- Dimensions are approximate. Please consult the factory before installation.
- Recovery rate and first hour delivery are based on 185°F boiler water, 40°F incoming, and 140°F delivered.
- Full output BTU is based on 185°F boiler water, 40°F incoming, and 120°F delivered.
- Tanks, coils, and fittings are 316T stainless steel.
- \* Double wall coil is based on 162°F boiler water, 40°F incoming, and 120°F delivered.