

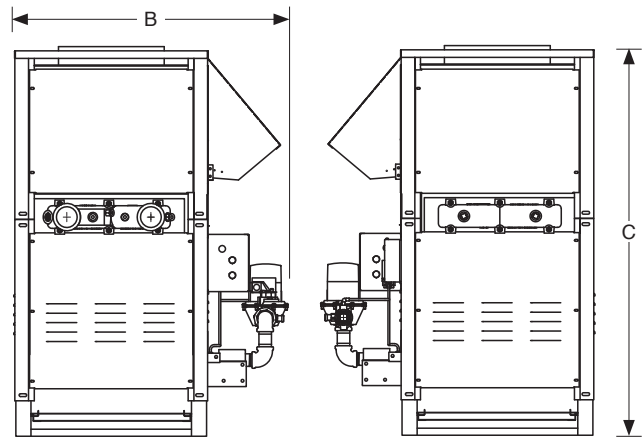
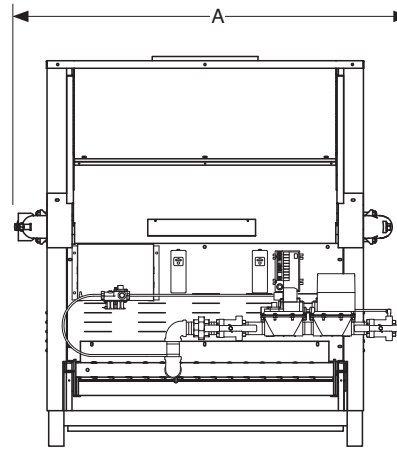
# Hamilton Multi-Tube Technical Information

## Standard Equipment

- 81% efficient
- 2-pass, finned copper tube heat exchanger
- ASME pressure relief valve, mounted
- 2 1/2" interlocking combustion chamber
- Built-in, integral draft diverter single flue opening
- Mounted & wired flow switch
- Inlet & outlet thermometers
- High limit control with manual reset
- Slide out, field reversible heat exchanger
- Electronic intermittent pilot ignition
- Single phase pump delay
- Operating aquastat
- FM/CSD-1 compliant gas train (subject to local codes)

## Optional Equipment

- On/off, 2-stage, 4-stage, or modulating firing
- Flame safeguard ignition
- Keyboard display module S7800A
- Dual flue outlet (840 - 4000 MBTU)
- Power venter
- High & low gas pressure switches
- Cupro-nickel heat exchanger
- Low water cut off
- Alarm for flame failure with silencing switches



**420 – 1900**

Model	Input MBTU/hr	Output MBTU/hr	GPH @ 100°F Recovery	Flue Vent	Gas Conn.*	Water Conn.	A	B	C	Shipping Weight
HB 420	420	340	408	10"	1"	2.5" **	28.5"	35.13"	51"	534
HB 530	530	429	515	10"	1"	2.5" **	33.0"	35.13"	51"	555
HB 630	630	510	613	12"	1"	2.5" **	37.5"	35.13"	51"	590
HB 735	735	595	715	14"	1"	2.5" **	42.0"	35.13"	51"	630
HB 840	840	680	817	14"	1"	2.5" **	46.5"	35.13"	51"	680
HB 950	950	770	924	14"	1"	2.5" **	51.0"	35.13"	51"	742
HB 1050	1,050	851	1,021	16"	1.25"	2.5"	55.5"	35.13"	51"	806
HB 1160	1,160	940	1,128	16"	1.25"	2.5"	60.0"	35.13"	51"	853
HB 1260	1,260	1,021	1,225	16"	1.25"	2.5"	64.5"	35.13"	51"	887
HB 1370	1,370	1,110	1,332	18"	1.25"	2.5"	69.0"	35.13"	51"	912
HB 1470	1,470	1,191	1,429	18"	1.25"	2.5"	73.5"	35.13"	51"	987
HB 1580	1,580	1,280	1,536	18"	1.25"	2.5"	78.0"	35.13"	51"	1,040
HB 1685	1,685	1,365	1,638	18"	1.25"	2.5"	82.5"	35.13"	51"	1,078
HB 1790	1,790	1,450	1,741	20"	1.5"	2.5"	87.0"	35.13"	51"	1,145
HB 1900	1,900	1,539	1,848	20"	1.5"	2.5"	91.5"	35.13"	51"	1,180

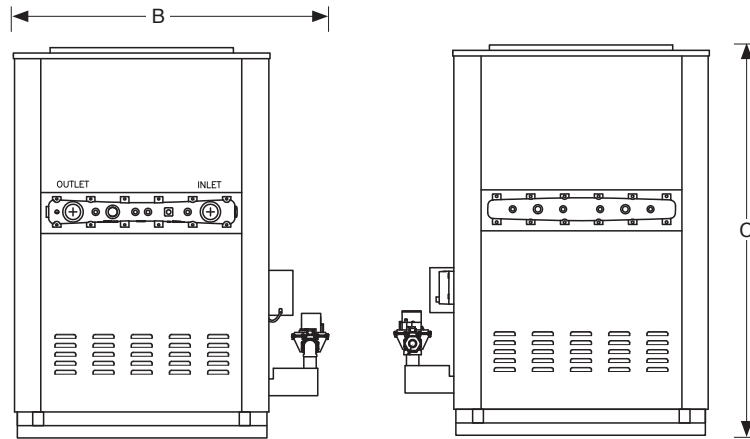
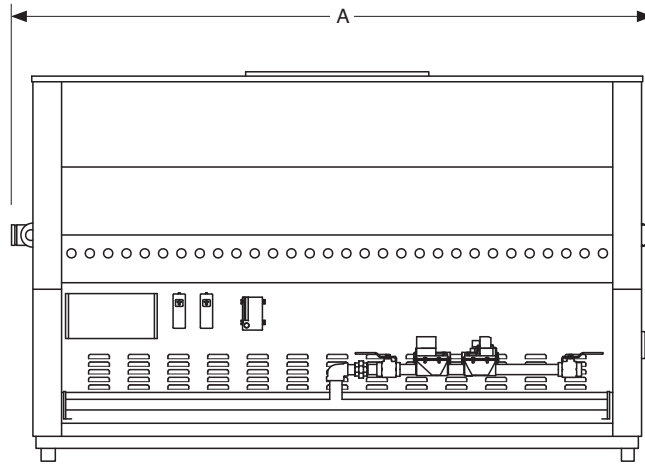
\* Dimensions are approximate. Please consult factory before installation.

\* Indicates Natural Gas connection. Please consult factory for LP.

\*\* 2 1/2" x 2" reducing fitting installed



# Hamilton Multi-Tube Technical Information (cont.)



**2000 – 4000**

Model	Input MBTU/hr	Output MBTU/hr	GPH @ 100°F Recovery	Flue Vent	Gas Conn.*	Water Conn.	A	B	C	Shipping Weight
HB 2000	2,000	1,640	1,969	22"	1.5"	3"	59.3"	42"	63"	1,308
HB 2400	2,400	1,968	2,363	24"	2"	3"	68.3"	42"	63"	1,438
HB 2800	2,800	2,296	2,756	26"	2"	3"	77.3"	42"	63"	1,540
HB 3200	3,200	2,624	3,150	28"	2"	3"	86.3"	42"	63"	1,668
HB 3600	3,600	2,952	3,544	30"	2"	3"	95.3"	42"	63"	1,892
HB 4000	4,000	3,280	3,938	30"	2"	3"	104.3"	42"	63"	2,020

• Dimensions are approximate. Please consult factory before installation.

\* Indicates Natural Gas connection. Please consult factory for LP.