

EVO Indirect Companion Technical Information

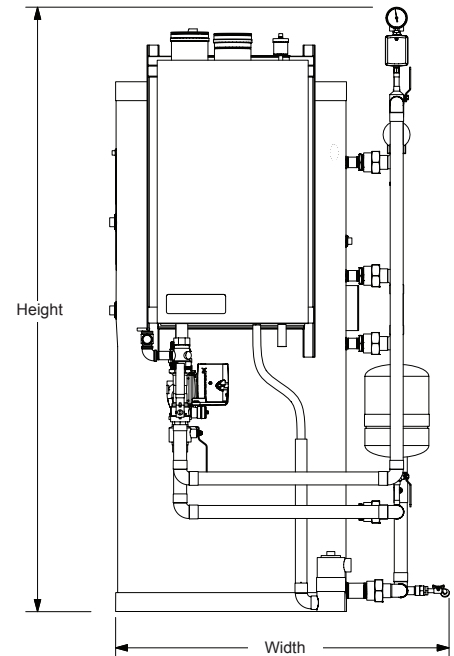
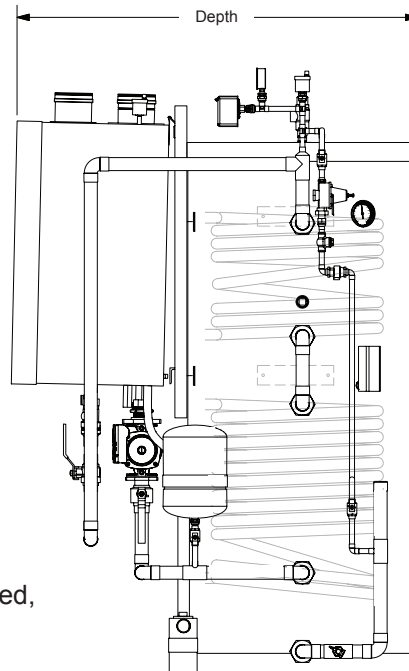


Standard Equipment

- Up to 95.5% operating efficiency
- Impervious to scale build-up and loss of efficiency in hard water areas
- 316L stainless steel heat exchanger and tank
- Modulating stainless steel burner
- Self diagnostic microprocessor controls
- Sealed combustion
- Condensate neutralizer
- CPVC or AL 29-4C stainless vent
- 15 yr. heat exchanger warranty
- 10 yr. tank warranty
- 24/7 customer service

Optional Equipment

- Piping manifolds on multiple units
- Cascade controls on multiple units
- Common venting on multiple units
- 119 gallon tank also available with a vented, double wall coil heat exchanger



Model	Width	Height	Depth	Exhaust	Air In	Cold In	Hot Out	Gas Conn.	Shipping Weight
HWDI 129-80S	36.5"	69.5"	37"	3"	3"	1.5"	1.5"	0.75"	255 lbs.
HWDI 129-80D	36.5"	69.5"	37"	3"	3"	1.5"	1.5"	0.75"	270 lbs.
HWDI 129-120S	41.5"	71.25"	42"	3"	3"	1.5"	1.5"	0.75"	321 lbs.
HWDI 199-80S	36.5"	69.5"	37"	3"	3"	1.5"	1.5"	0.75"	265 lbs.
HWDI 199-80D	36.5"	69.5"	37"	3"	3"	1.5"	1.5"	0.75"	280 lbs.
HWDI 199-120S	41.5"	71.25"	42"	3"	3"	1.5"	1.5"	0.75"	331 lbs.
HWDI 199-120SDW	41.5"	71.25"	42"	3"	3"	1.5"	1.5"	0.75"	353 lbs.
HWDI 299-120D*	41.5"	76"	50"	4"	4"	1.5"	1.5"	0.75"	456 lbs.
HWDI 299-120SDW*	41.5"	76"	50"	4"	4"	1.5"	1.5"	0.75"	479 lbs.
HWDI 399-120D*	41.5"	76"	50"	4"	4"	1.5"	1.5"	0.75"	539 lbs.
HWDI 399-120SDW*	41.5"	76"	50"	4"	4"	1.5"	1.5"	0.75"	562 lbs.

* Dimensions are not for construction purposes. For exact measurements, consult factory.

• Maximum amperage draw at 230 volts single phase is less than 5 amps

• Output temperatures and capacities on reverse side

* Equipped with HOT Controls. Maximum amperage draw at 208-240 volts split phase, single phase is less than 6.3 amps including circulating pump



Model	Input BTU/hr.	Storage (gallons)	40° F - 120° F			40° F - 140° F		
			GPH	Boiler Setpoint	Efficiency (%)	GPH	Boiler Setpoint	Efficiency (%)
HWDI 129-80S	136,000	80	175	150° F	95.5	151	165° F	93.8
HWDI 129-80D	136,000	80	195	150° F	95.5	152	155° F	94.3
HWDI 129-120S	136,000	119	189	155° F	94.2	147	160° F	94.0
HWDI 199-80S	199,999	80	262	180° F	90.0	210	190° F	90.0
HWDI 199-80D	199,999	80	277	170° F	92.3	221	180° F	90.0
HWDI 199-120S	199,999	119	274	175° F	91.8	220	185° F	90.0
HWDI 199-120SDW	199,999	119	283	150° F	95.5	218	155° F	94.1
HWDI 299-120D*	300,000	119	408	170° F	92.3	326	180° F	92.3
HWDI 299-120SDW*	300,000	119	427	170° F	94.8	317	175° F	91.8
HWDI 399-120D*	399,999	119	524	190° F	90.0	373	190° F	90.0
HWDI 399-120SDW*	399,999	119	551	190° F	90.0	391	190° F	90.0

* Equipped with HOT Controls. Maximum amperage draw at 208-240 volts split phase, single phase is less than 6.3 amps including circulating pump.

