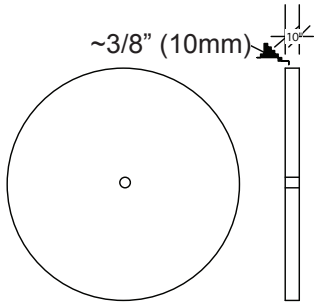
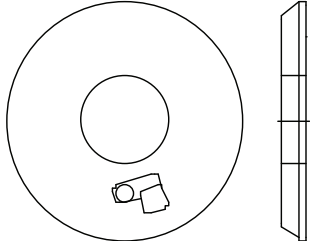
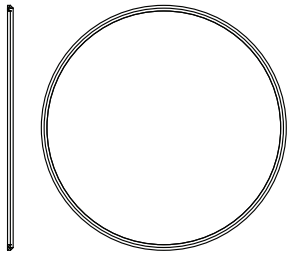
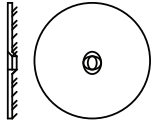

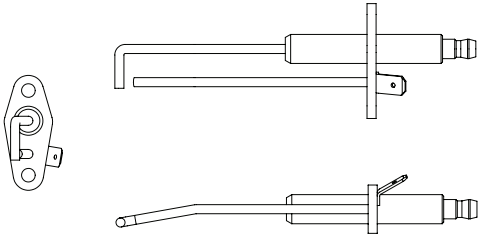
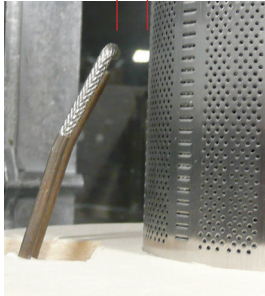
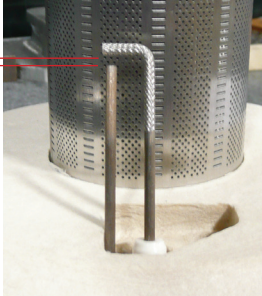


# EVO 79-599

## Heat Exchanger Maintenance Kit

### MNT 94308 B



<p><b>FIB 74801</b> Insulation Rear Wall</p> 	<p><b>FIB 74093</b> Insulation Burner Door</p> 	<p><b>GKT 74035</b> Gasket Burner Door</p> 
<p><b>MSC 74029</b> Insulation Washer (Rear Wall Insulation)</p> 	<p><b>MSC 74027</b> Screw for (Rear Wall Insulation)</p> 	<p><b>PLT 74318</b> Ignitor Replacement Kit</p> 
<p><b>Ignitor Adjustment/Mounting Instructions</b></p>		
<p>~5/16" (8-10mm)</p> 		<p>~1/8" (3.50mm)</p> 

**Note: Drawings enlarged to show detail. Not drawn to actual proportion.**