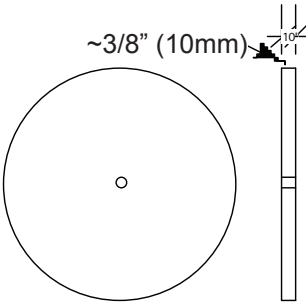
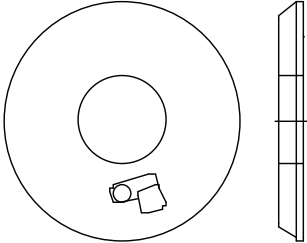
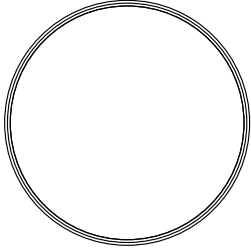
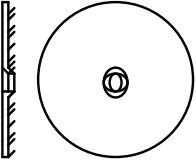

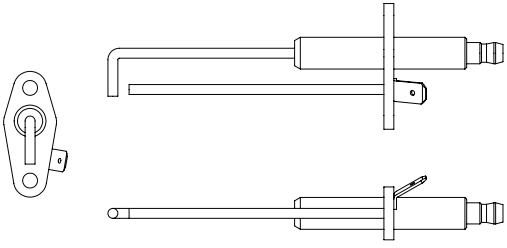
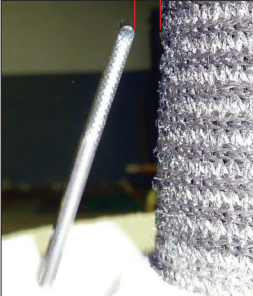
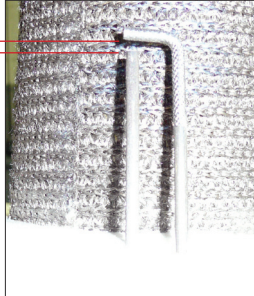


EVO 1499-1999 Heat Exchanger Maintenance Kit MNT 94310 B



<p>FIB 74801 Insulation Rear Wall</p> 		<p>FIB 74114 Insulation Burner Door</p> 	<p>GKT 74060 Gasket Burner Door</p> 
<p>MSC 74029 Insulation Washer (Rear Wall Insulation)</p> 	<p>MSC 74027 Screw for (Rear Wall Insulation)</p> 	<p>PLT 74319 Ignitor Replacement Kit</p> 	
<p>Ignitor Adjustment/Mounting Instructions</p>			
<p>~5/16" (8-10mm)</p> 		<p>~1/8" (3.50mm)</p> 	

Note: Drawings enlarged to show detail. Not drawn to actual proportion.