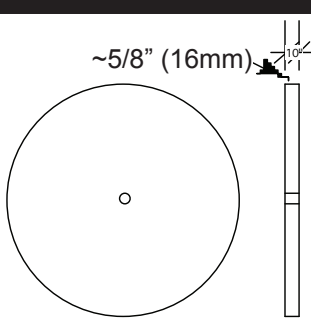
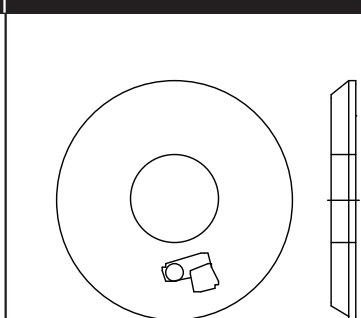
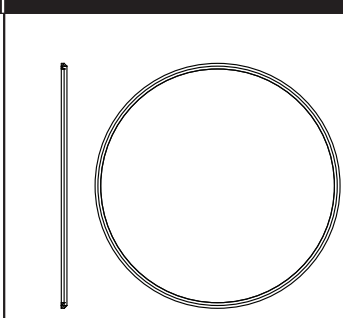
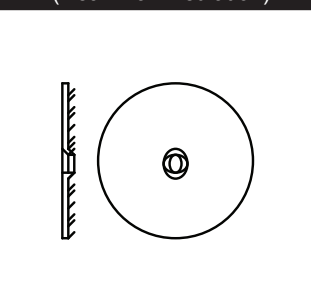
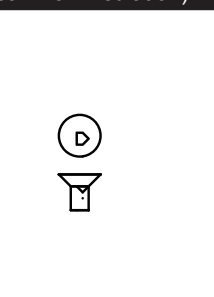
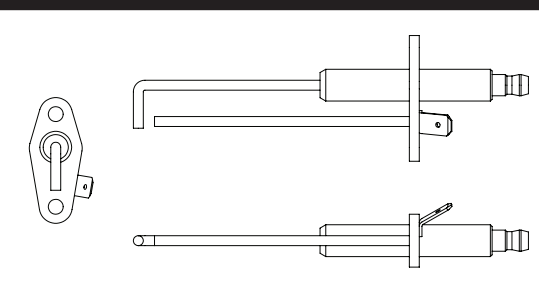
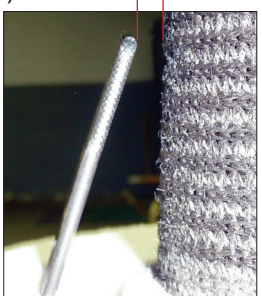
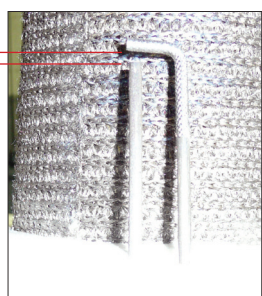


# EVO 1499-1999 Heat Exchanger Maintenance Kit MNT 94311 B



<p><b>FIB 74902</b> Insulation Rear Wall</p>  <p>~5/8" (16mm)</p>		<p><b>FIB 74114</b> Insulation Burner Door</p> 	<p><b>GKT 74060</b> Gasket Burner Door</p> 
<p><b>MSC 74029</b> Insulation Washer (Rear Wall Insulation)</p> 	<p><b>MSC 74028</b> Screw for (Rear Wall Insulation)</p> 	<p><b>PLT 74319</b> Ignitor Replacement Kit</p> 	
<p><b>Ignitor Adjustment/Mounting Instructions</b></p> <div style="display: flex; justify-content: space-around;"> <div style="text-align: center;"> <p>~5/16" (8-10mm)</p>  </div> <div style="text-align: center;"> <p>~1/8" (3.50mm)</p>  </div> </div>			

**Note: Drawings enlarged to show detail. Not drawn to actual proportion.**