

# EVO Pool Heater Technical Information

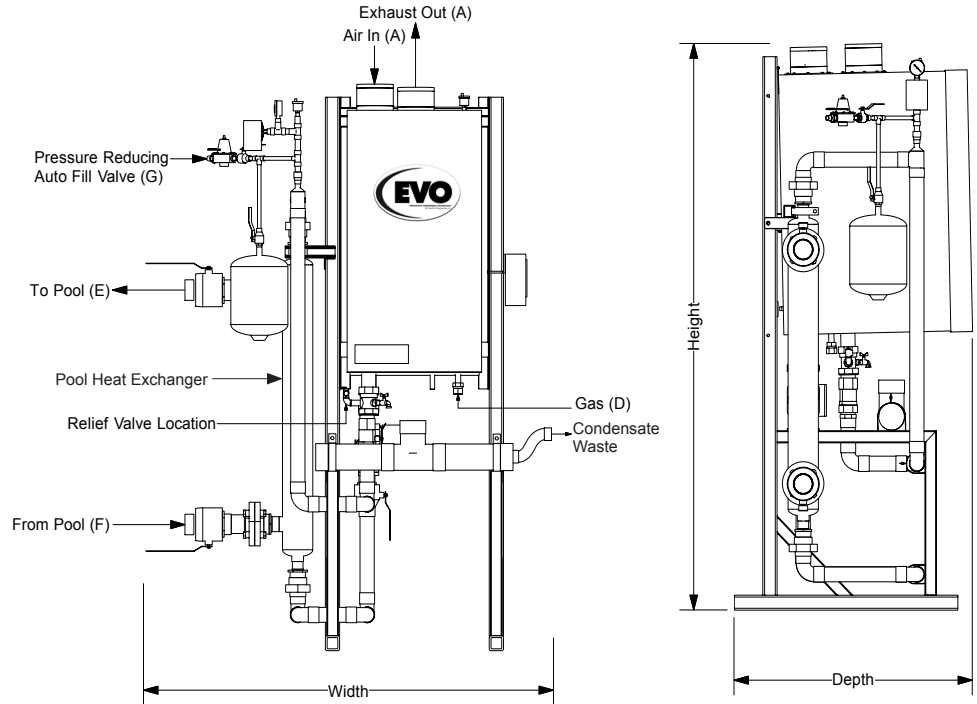


## Standard Equipment

- Up to 95.3% condensing boiler efficiency
- 316 Stainless steel pool heat exchanger
- Digital pool thermostat
- Sealed combustion
- Modulating burner w/digital control system
- Up to 10:1 turndown ratio
- Condensate neutralizer
- Pressure reducing auto fill valve
- Seismically-rated mounting rack
- Factory assembled and tested package
- Single point utility connections
- Rated for PVC, CPVC, or AL 29-4C stainless vent
- Cascade controls on dual units
- Common venting on dual units
- Common gas manifold on dual units
- 15 year limited boiler heat exchanger warranty
- 18 month parts warranty
- 24/7 customer service

## Optional Equipment

- Cupro-nickel pool heat exchanger
- Gateway communication—BMS Capability



Boiler Mounted On Rack																
Model	Width		Height		Depth		A		D		E		F		G (MPT)	
	in	mm	in	mm	in	mm	in	mm	in	mm	in	mm	in	mm	in	mm
HWH 199.1	48	1219	64	1625	29	736	3"	76	0.75"	19	2.0"	50	2.0"	50	0.5"	12
HWH 299	48	1219	74	1879	28.625	727	4"	101	0.75"	19	2.0"	50	2.0"	50	0.5"	12
HWH 399	48	1219	74	1879	28.625	727	4"	101	0.75"	19	2.0"	50	2.0"	50	0.5"	12
HWH 599	48	1219	74	1879	34.5	876	5"	127	1.0"	25	2.0"	50	2.0"	50	0.5"	12

Model	Input		Boiler Output (as designed)		Estimated Operating Efficiency	Incoming Pool Water		Operating Boiler Water Temp		Return Water Temp		Boiler Flow Rate		Required Pool Flow (min.)		Pool Side ΔP		Shipping Weight	
	BTU/hr	kWh	BTU/hr	kWh		°F	°C	°F	°C	°F	°C	GPM	L/S	GPM	L/S	Ft.Hd	M.Hd	lbs	kg
HWH 199.1-SS 350	199,999	59	188,999	55	94.5%	84	28.8	155	68.3	130	54.4	15	.94	80	5.04	1.9	.58	324	147
HWH 299-SS 650*	300,000	88	285,900	84	95.3%	84	28.8	155	68.3	120	48.8	16	1.00	70	4.42	1.9	.58	382	173
HWH 399-SS 650*	399,999	117	377,999	111	94.5%	84	28.8	160	71.1	135	57.2	30	1.89	84	5.30	2.5	.76	488	221
HWH 599-SS 1200*	630,000	184	595,350	175	94.5%	84	28.8	155	69.3	128	53.3	50	3.15	125	7.89	5.8	1.77	583	264

### Notes:

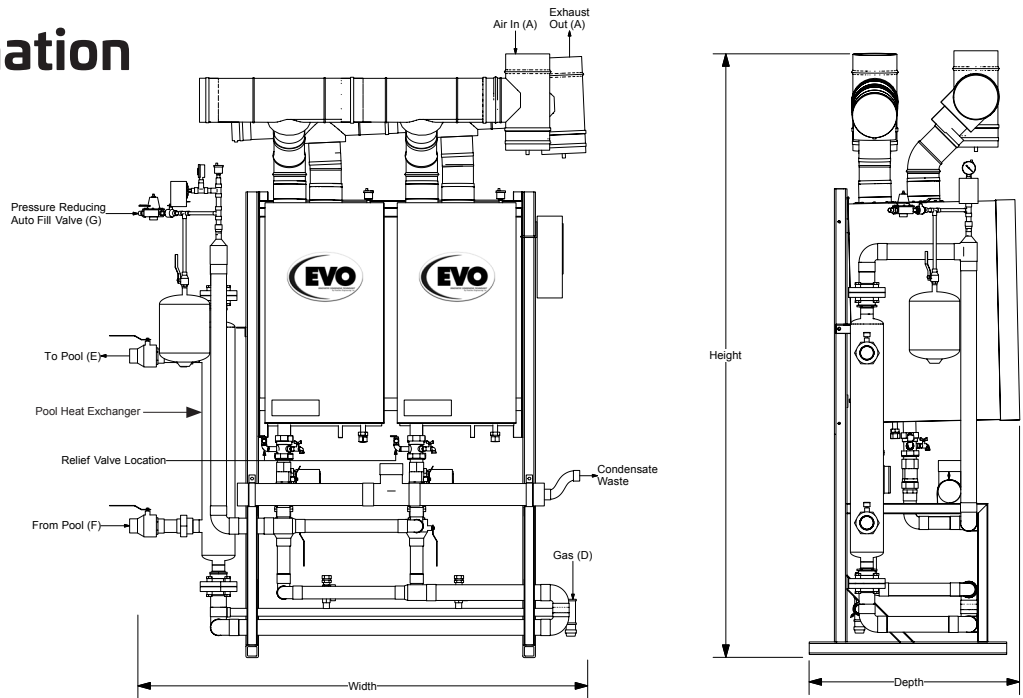
- Rates shown are for natural or propane gas, and elevations up to 9,000 ft/2,743 m
- Dimensions are approximate. Please consult the factory before installation
- Maximum amperage draw at 230 volts single phase is less than 6.3 amps per appliance
- \* Equipped with HOT Controls. Maximum amperage draw at 208-240 volts split phase, single phase is less than 6.3 amps per appliance including circulating pump

See reverse side for larger sizes



UL 795-2011/CSA 3.4  
ANSI Z21.13.2014/CSA 4.9-2014  
UL 795-2011/CSA 3.4  
SCAGMD 1146.2

# EVO Pool Heater Technical Information



### Boiler Mounted On Rack

Model	Width		Height		Depth		A		D		E		F		G (MPT)	
	in	mm	in	mm	in	mm	in	mm	in	mm	in	mm	in	mm	in	mm
HWH 398 (2) HW 129	81"	2057	64"	1625	29"	736	5"	127	1.5"	38	2.0"	50	2.0"	50	0.5"	12
HWH 598 (2) HW 199	81"	2057	74"	1879	2'4 5/8"	727	6"	152	1.5"	38	3.0"	76	3.0"	76	0.5"	12
HWH 698 (2) HW 299	81"	2057	94"	2388	2'8"	812	6"	152	2.0"	50	3.0"	76	3.0"	76	0.5"	12
HWH 798 (1) HW 299 (1) HW 399	81"	2057	94"	2388	2'8"	812	6"	152	2.0"	50	3.0"	76	3.0"	76	0.5"	12
HWH 998 (2) HW 399	81"	2057	94"	2388	2'8"	812	7"	177	2.0"	50	4.0"	101	4.0"	101	0.5"	12
HWH 1198 (1) HW 399 (1) HW 599 (2) HW 599	81"	2057	94"	2388	2'10"	863	7"	177	2.0"	50	4.0"	101	4.0"	101	0.5"	12

Model	Input		Boiler Output (as designed)		Estimated Operating Efficiency	Incoming Pool Water		Operating Boiler Water Temp		Return Water Temp		Boiler Flow Rate		Required Pool Flow (min.)		Pool Side ΔP Ft. Hd.		Shipping Weight	
	BTU/hr	kWh	BTU/hr	kWh		°F	°C	°F	°C	°F	°C	GPM	L/S	GPM	L/S	Ft.Hd	M.Hd	lbs	kg
HWH 398—SS 650	399,998	117	377,998	111	94.5%	84	28.8	155	68.3	126	52.2	26	1.64	84	5.3	2.5	.76	462	209
HWH 598—SS 1200*	600,000	175	595,350	174	94.5%	84	28.8	155	68.3	130	54.4	32	2.02	125	7.89	5.8	1.76	488	221
HWH 698—SS 1200*	699,999	205	660,799	193	94.4%	84	28.8	155	68.3	129	53.9	50	3.15	125	7.89	5.8	1.76	704	319
HWH 798—SS 1200*	798,998	234	751,058	220	94.0%	84	28.8	160	71.1	137	58.3	66	4.16	167	10.54	7.2	2.19	924	419
HWH 998—SS 2400 †	1,029,999	302	973,349	285	94.5%	84	28.8	155	68.3	127	52.8	70	4.41	180	11.36	8.2	2.5	964	437
HWH 1198—SS 2400 †	1,260,000	369	1,190,700	349	94.5%	84	28.8	155	68.3	125	51.6	80	5.05	200	12.61	9.5	2.9	1034	469

**Notes:**

- Rates shown are for natural or propane gas, and elevations up to 9,000 ft/2,743 m
- Dimensions are approximate. Please consult the factory before installation
- Maximum amperage draw at 230 volts single phase is less than 6.3 amps per appliance
- † These models utilize (2) heat exchangers, and the pool water flow is in series; boiler water flow is in parallel
- \* Equipped with HOT Controls. Maximum amperage draw at 208–240 volts split phase, single phase is less than 6.3 amps per appliance including circulating pump