

## SAN-O<sub>3</sub>-TYZER START UP CHECKLIST

Distributor/Salesperson: \_\_\_\_\_ Model: \_\_\_\_\_ Date: \_\_\_\_\_  
 Location: \_\_\_\_\_ Serial: \_\_\_\_\_ Tag: \_\_\_\_\_  
 Installation Date: \_\_\_\_\_ Pictures: Yes No Requested: Yes No  
 Site Name: \_\_\_\_\_ Site Phone: \_\_\_\_\_  
 Site Contact (owner/end user): \_\_\_\_\_ Installer (Service Company): \_\_\_\_\_  
 Distributor (Service Person): \_\_\_\_\_

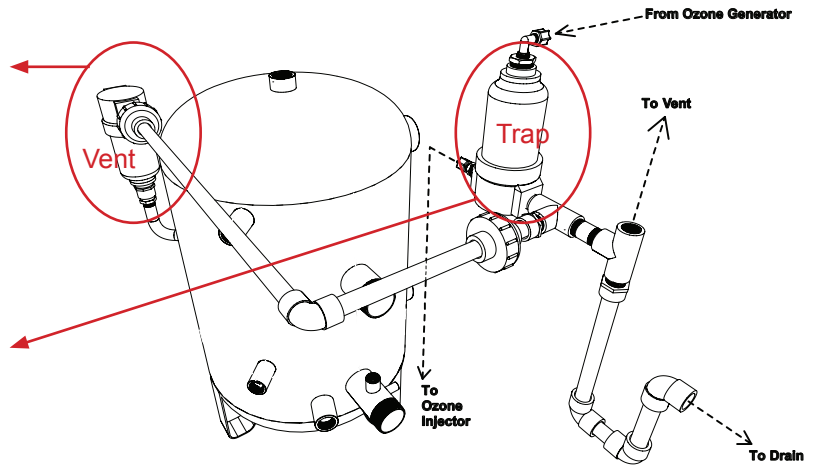
**CAUTION! Be sure ozone generator has been powered on for 24 hours prior to starting system!**

### Water Pressure

1.) Before regulator: \_\_\_\_\_  
 2.) After regulator (no demand): \_\_\_\_\_ (1) washer on: \_\_\_\_\_ (6) washers on: \_\_\_\_\_ All washers on: \_\_\_\_\_

### Tank Venting

1.) Vent line material: \_\_\_\_\_ Diameter: \_\_\_\_\_  
 2.) Is there any air/O<sub>3</sub> activity in the water trap when the O<sub>3</sub> pump is in operation?    Y    N  
 3.) Is the vent half filled with water?    Y    N



### Injector Line Water Trap

1.) Is water trap connected to drain?:    Y    N  
 2.) Is there any water in the trap?:    Y    N

### Power Supply

1.) Voltage at the service panel: \_\_\_\_\_

### Ozone Output

1.) SCFM Gauge setting during demand phase: \_\_\_\_\_  
 2.) Ozone ORP at the end of the bulkhead (in a constantly overflowing bucket for 5 mins): \_\_\_\_\_  
 3.) ORP reading in untreated water: \_\_\_\_\_